

LM-GEAR-03K & LM-PS-UPGRADE-04

Gear position sensor and basic add-in powershift loom wiring diagram

Splice Kit

LM-GEAR-03K

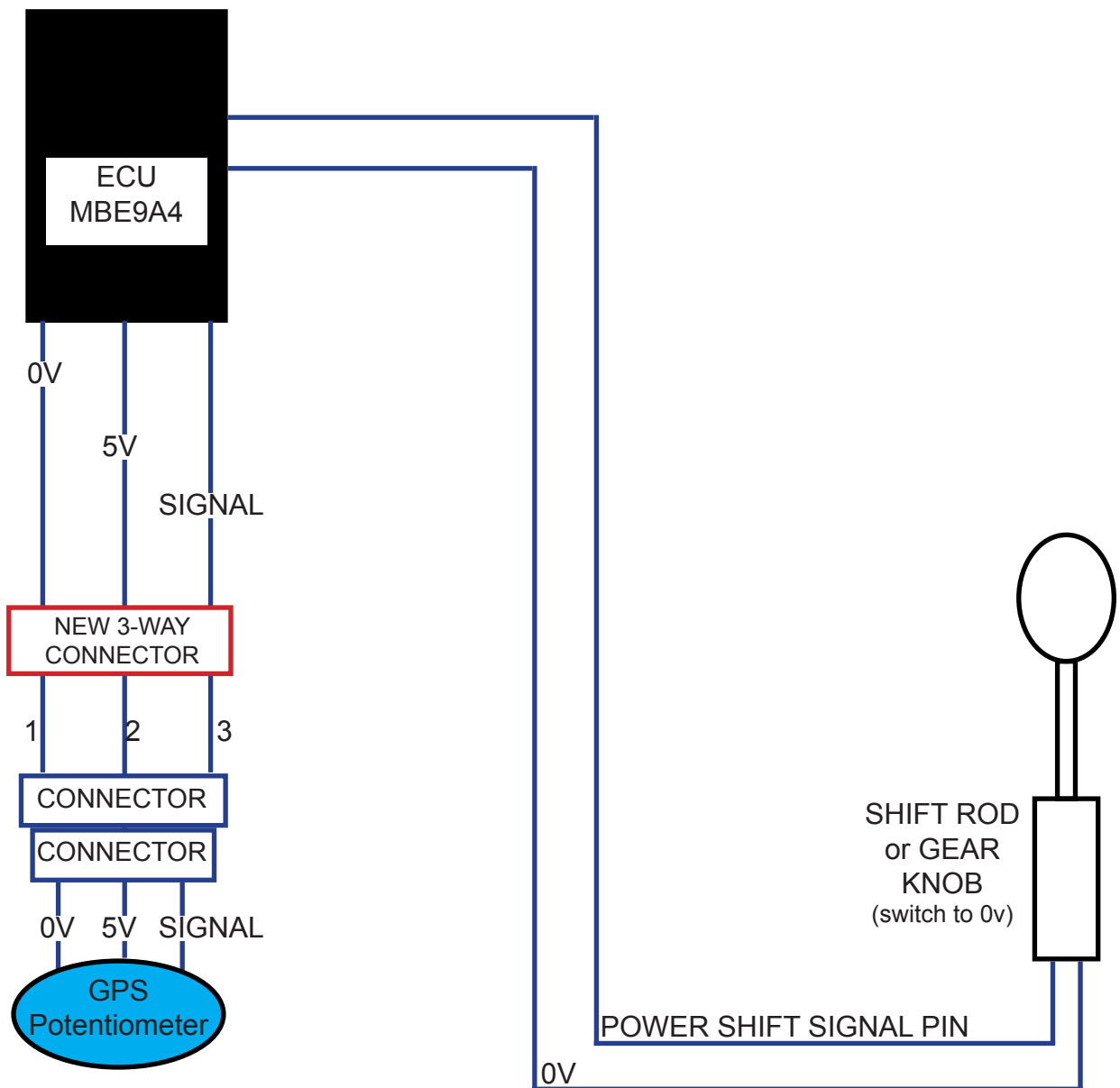
Connector Pin		Colour
1	0v	Black
2	5v	Red
3	Signal	Brown

LM-PS-UPGRADE-04

Black wire	0va
Pink/Blue wire	Signal

Splice Kit


**Please refer to the ECU pinout details.
For programmable pins, please refer to your map and/or programmer.**



Free technical support is available on our website. If you require personalised technical support training, this is available at a chargeable rate.

SBD Motorsport Ltd
Unit 15, Red Lion Business Park, Red Lion Road, Surbiton, Surrey. KT6 7QD
Tel: 020 8391 0121
Website: www.sbdmotorsport.co.uk

 SBDMotorsport

 sbdmotorsport