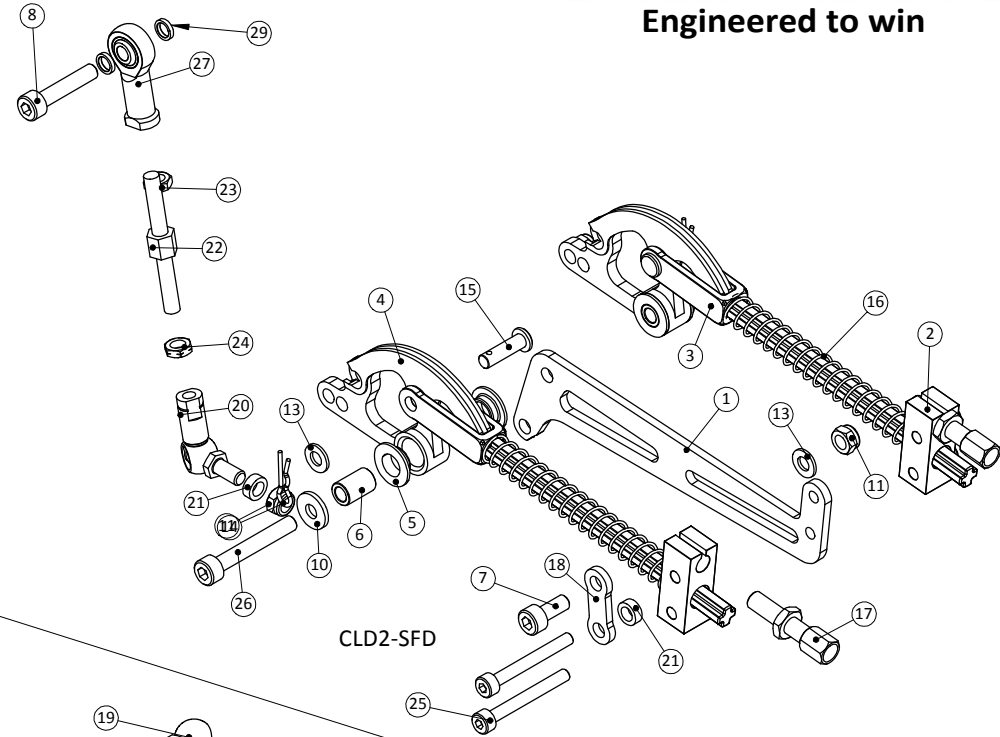
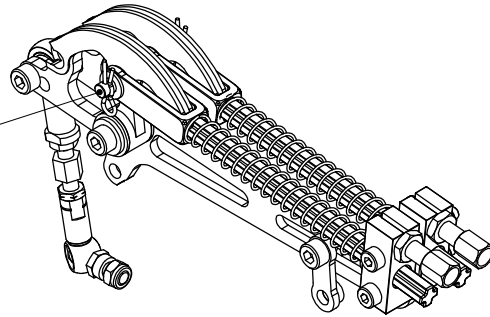


CLx2-SFD - SINGLE LINKAGE FOR SFD BODIES

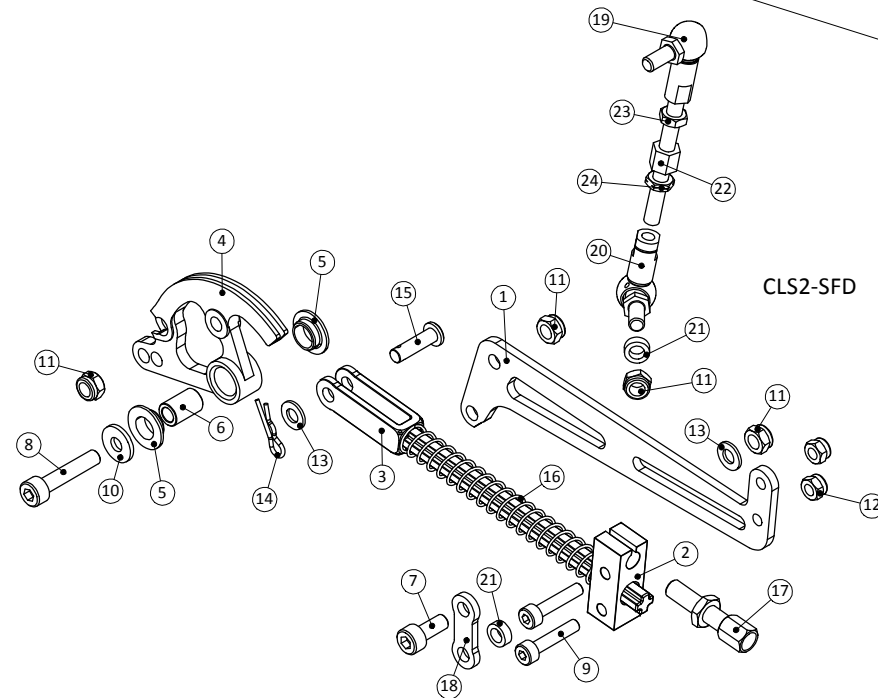


Engineered to win

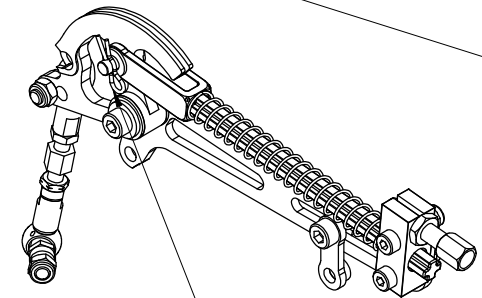
ENSURE R CLIP'S IS ON THE CORRECT SIDE OF BRACKET



CLD2-SFD



CLS2-SFD



ENSURE R CLIP IS ON THE CORRECT SIDE OF BRACKET

ITEM NO.	PART NUMBER	DESCRIPTION	CLS2-SFD /QTY.	CLD2-SFD /QTY.
1	LBF4-1	LINKAGE BRACKET FOR LBF3	1	1
2	M35-6	LINKAGE ANCHOR BLOCK	1	2
3	M35-5	SPRING MANDREL	1	2
4	L35-6	LINKAGE QUADRANT BILLET	1	2
5	BG0810NF	LNKAGE BEARING	2	4
6	BHS8X5X12.1	8x5x12.1 STEEL BUSH	1	2
7	M5X12CZ	CAP SCREW M5x12 CZ	1	1
8	M5X25CZ	CAP SCREW M5x25 CZ	1	1
9	M4X20CZ	CAP SCREW M4x20 CZ	2	-
10	M5WDZX12.7	M5x12.7 WASHER BZP	1	2
11	M5NZ	M5 NYLOC NUT	4	4
12	M4NZ	M4 NYLOC NUT	2	2
13	M5WPZ	M5 PLANE WASHER BZP	2	3
14	P35-15	R Clip	1	2
15	P35-14	CLEVIS PIN 4.7X14	1	2
16	SG20	SPRING LINKAGE	1	2
17	M6X37-ADJ	M6x37 THREADED ADJUSTER	1	2
18	LBF3-3	LINKAGE BRACKET SUPPORT LINK	1	1
19	LJ5B	LINKAGE BALL JOINT, 5MM	1	-
20	LJ5B-LH	LINKAGE BALL JOINT. LH	1	1
21	BHS8X5X3	STEEL SPACER 8x5x3	2	2
22	LJ5-R50	LINKAGE ROD END, 5MM x50	1	1
23	M5LZ	M5 LOCK NUT	1	1
24	M5LZ-LH	M5 LOCKNUT LH	1	1
25	M4X35CZ	CAP SCREW M4x35 CZ	-	2
26	M5X35CZ	CAP SCREW M5x35 CZ	-	1
27	LJ5R	LINKAGE ROD END, 5MM	-	1
28	C15	THROTTLE CABLE 1.5 METERS	1	2
29	BHAC7X5X1.4	CLD SPACER	-	2

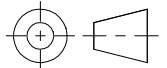
Frame: 1 of 1

Version: 1

Tel 01746 768810

© JENVEY DYNAMICS LTD. 2015

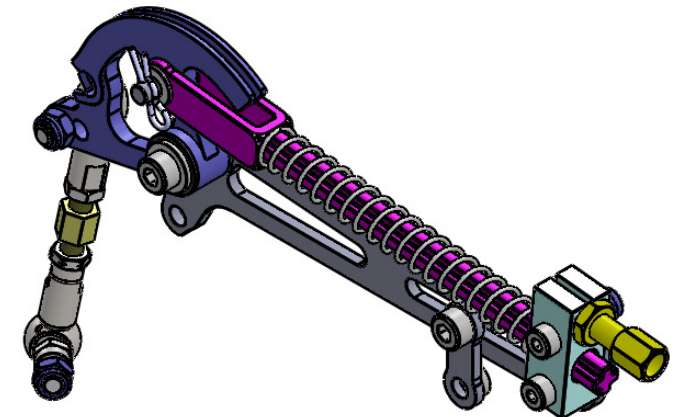
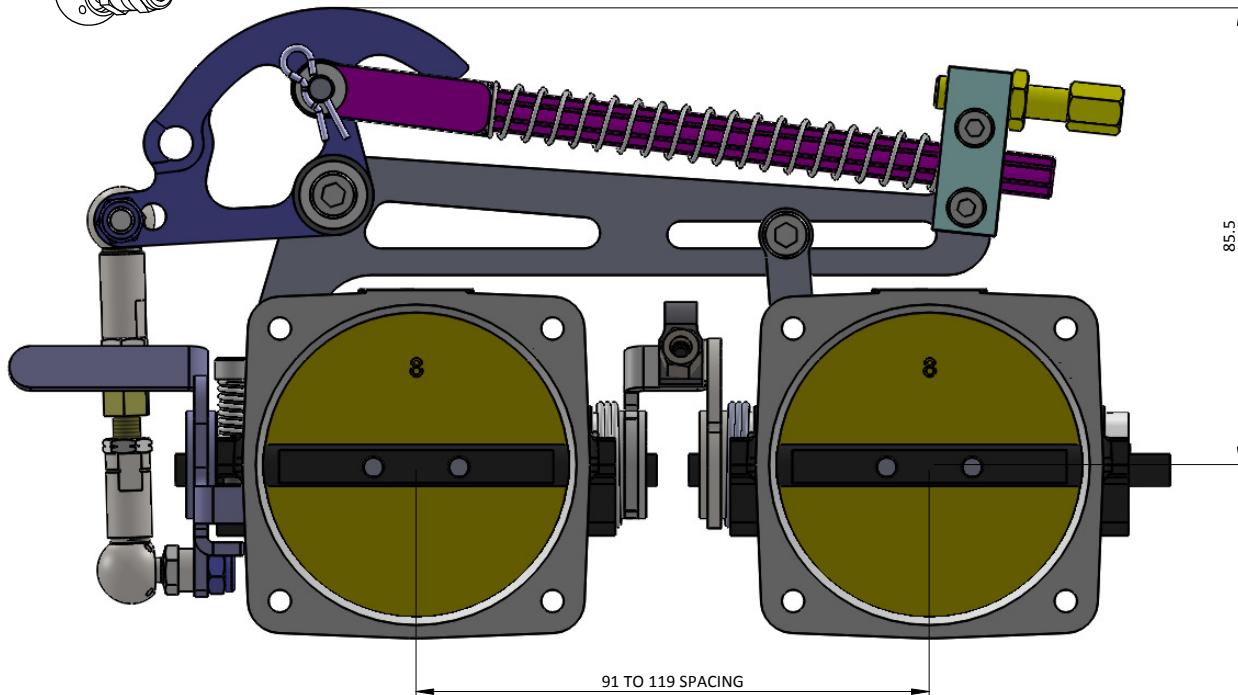
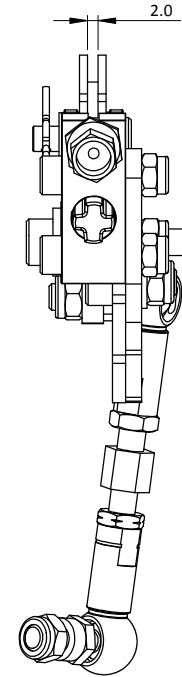
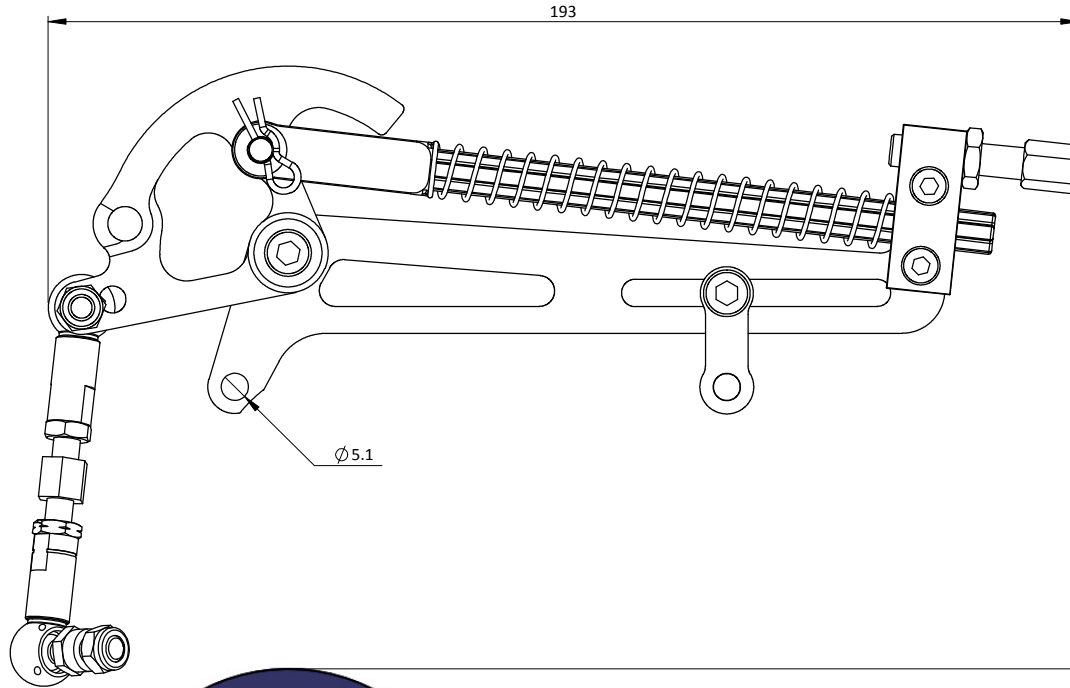
Web WWW.JENVEY.CO.UK



CLS2-SFD - SINGLE LINKAGE FOR SFD BODIES



Engineered to win



Frame: 1 of 1

Version: 1

Tel 01746 768810

© JENVEY DYNAMICS LTD. 2015

Web WWW.JENVEY.CO.UK

