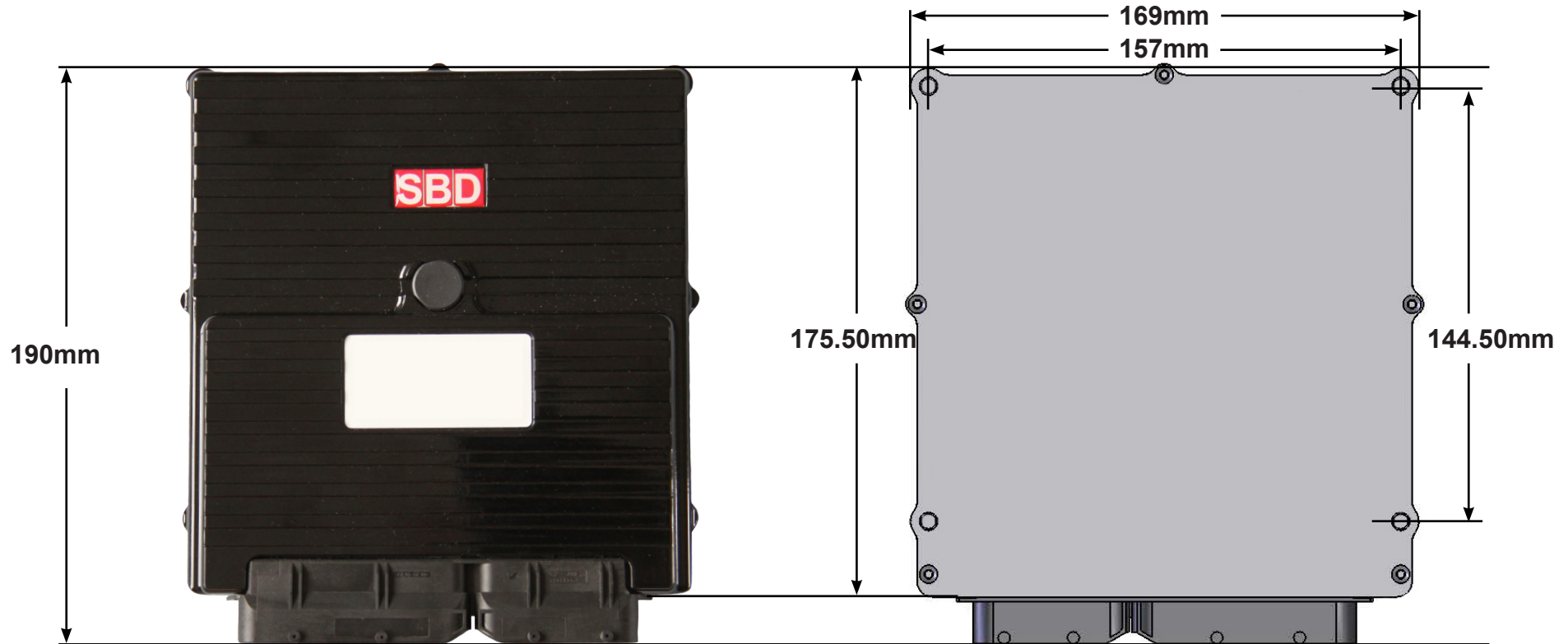


MBE9A9/9A6 Physical Specifications, Dimensions & Connector Layout



Operating: -40C to +85C (-40F to 185F)

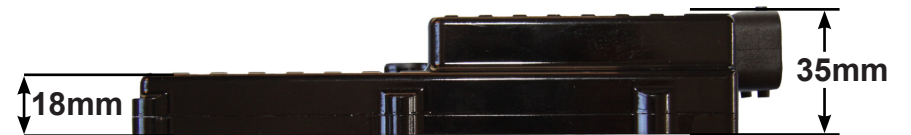
Supply voltage: 6.5V to 23V

Case: Aluminum

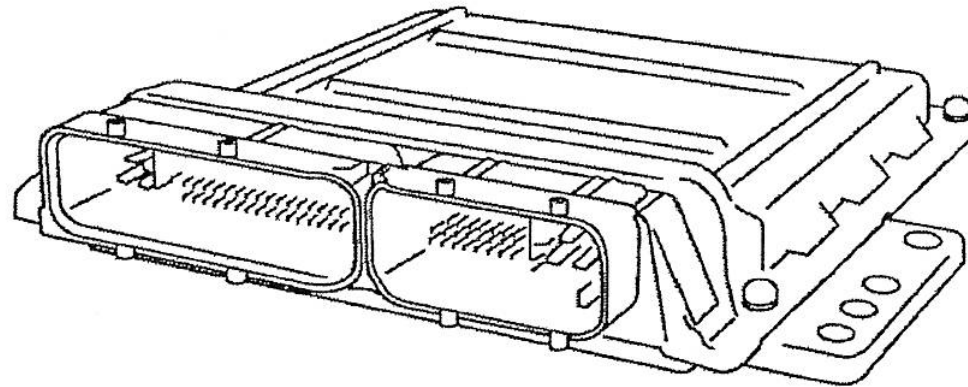
Weight: 880g

Mounting: Dependant on installation

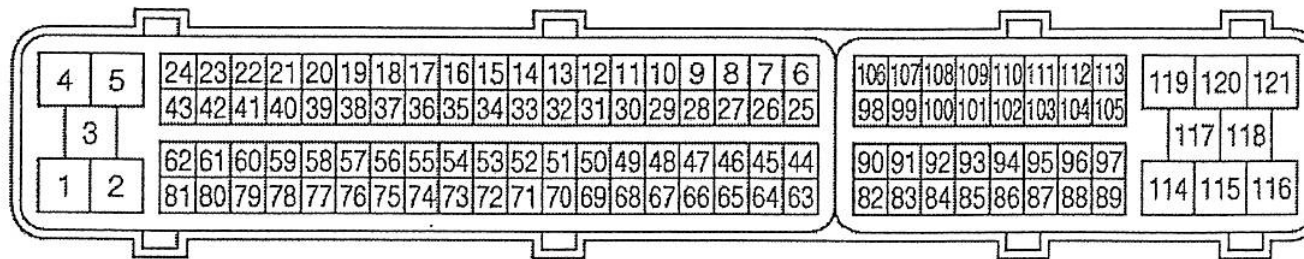
Connector: Two connectors Total of 121 Pin (Connector A 81 Pins & B 40 Pins)



MBE9A9/9A6 Connector Layout



Looking into the ECU



SBD Motorsport Ltd
Unit 15, Red Lion Business Park, Red Lion Road, Surbiton,
Surrey. KT6 7QD
Tel: 020 8391 0121
Website: www.sbdmotorsport.co.uk

 SBDMotorsport

 sbdevelopments